

Nov. 27, 1923.

1,475,222

A. D. CONVERSE

DANCING DOLL

Filed Feb. 25, 1921

2 Sheets-Sheet 2

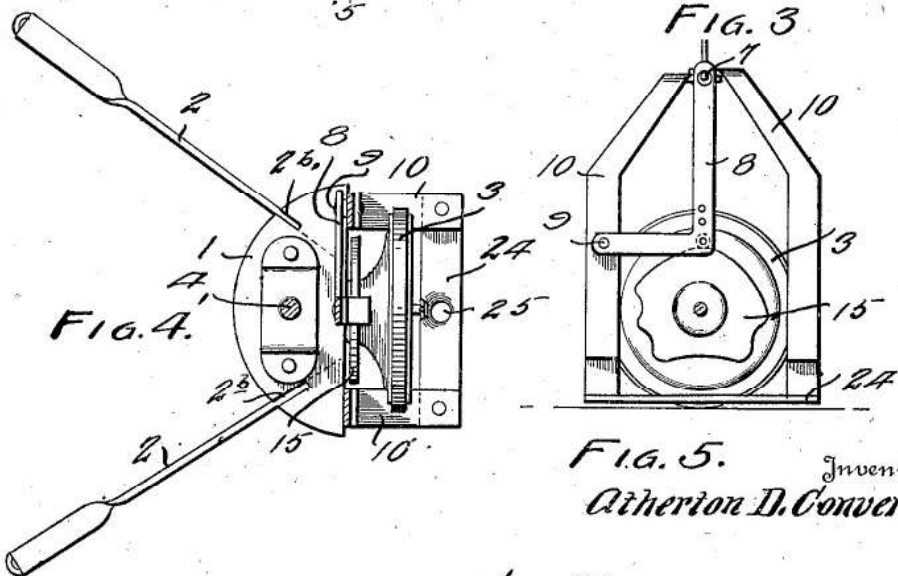
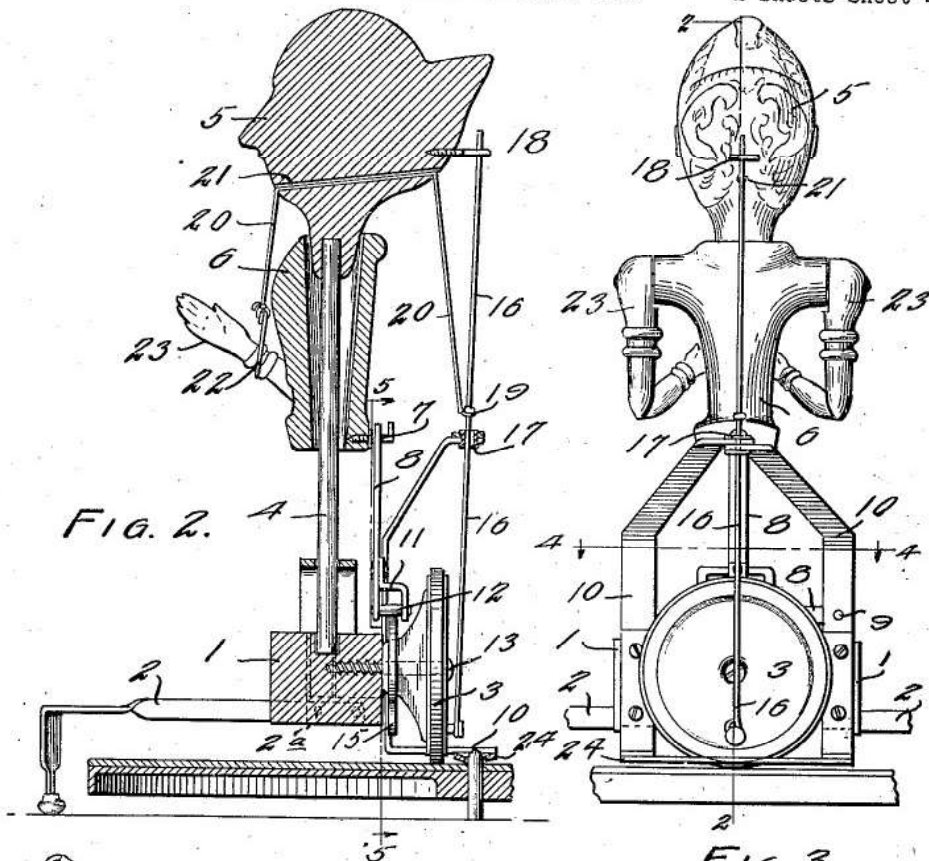


FIG. 5. Inventor
Atherion D. Converse

By Spear, Middleton, Donaldson & Hall
Attorney